

**INNOVATIVE
COMPONENTS, INC.**

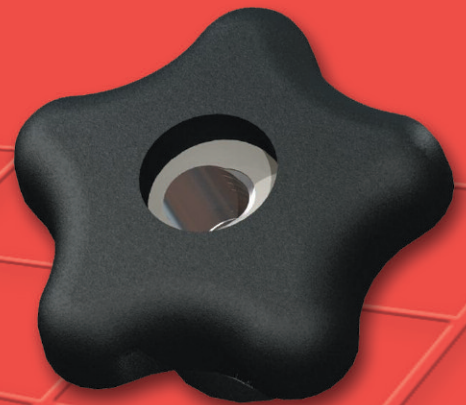
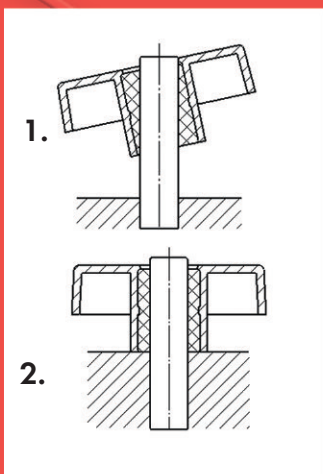
for Innovative Solutions

QUICK RELEASE KNOBS

Quick release knobs are used in such applications where the knob has to be completely removed after the releasing operation and refitted very rapidly for re-clamping.

Instructions:

1. Tilt the knob over the top of the threaded spindle. Rapidly adjust the knob to the necessary position
2. When in position, tilt the knob upright into a straight position. Slightly turn the knob to engage the threads on knob and spindle to achieve clamping



5SA
1/4-20 & 5/16-18



F6
1/4-20, 5/16-18,
3/8-16, 1/2-13



4P7
1/4-20, 5/16-18,
3/8-16, 1/2-13